



**OJF**  
Offshore Junction Frame

# OJF OFFSHORE JUNCTION FRAME

**Up to 42 kV  
1250 A**

PART OF OUR  
**WINDLINK®**  
PRODUCT RANGE

## Application

For offshore wind power parks, the offshore junction frame will be used as a connecting point to the subsea arrays cables.

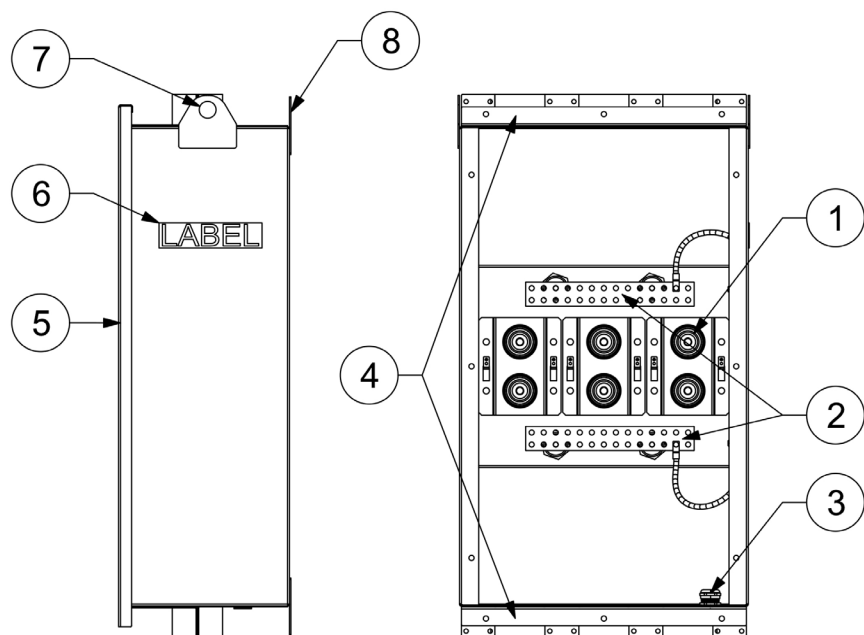
## Technical characteristics

- Sheet materials: marine grade 316L stainless steel and A2/A4 grade fittings.
- Robust design with IP55 degree of protection (BS EN 60529:1992).

## Design

Offshore junction frame comprising:

1. Three screened two-way interface-C junctions.
2. Earth bar on insulated standoffs.
3. Earth cable compression gland (closed enclosure).
4. Split gland plates incorporating 6 feed through sealed glands (closed enclosure)
5. Access front panel (closed enclosure).
6. Labeling.
7. Lifting eyes (closed enclosure).
8. Mounting brackets.



| Offshore junction frame type | Voltage Um (kV) | Outer dimensions of cabinet without base (w x d x h)(mm) | IP degree     | Current (A) | Cable sizes (Ø mm) |
|------------------------------|-----------------|--|---------------|-------------|--------------------|
| OJF-C-M400J2-T1              | 42              | 612 x 358 x 1130   | IP55**        | *           | 24-70              |
| OJF-C-M400J2-T2              | 42              | 612 x 358 x 1330   | IP55**        | *           | 48-98              |
| OJF-O-M400J2-T1              | 42              | 570 x 336 x 870  | No definition | 1.250       | No definition      |

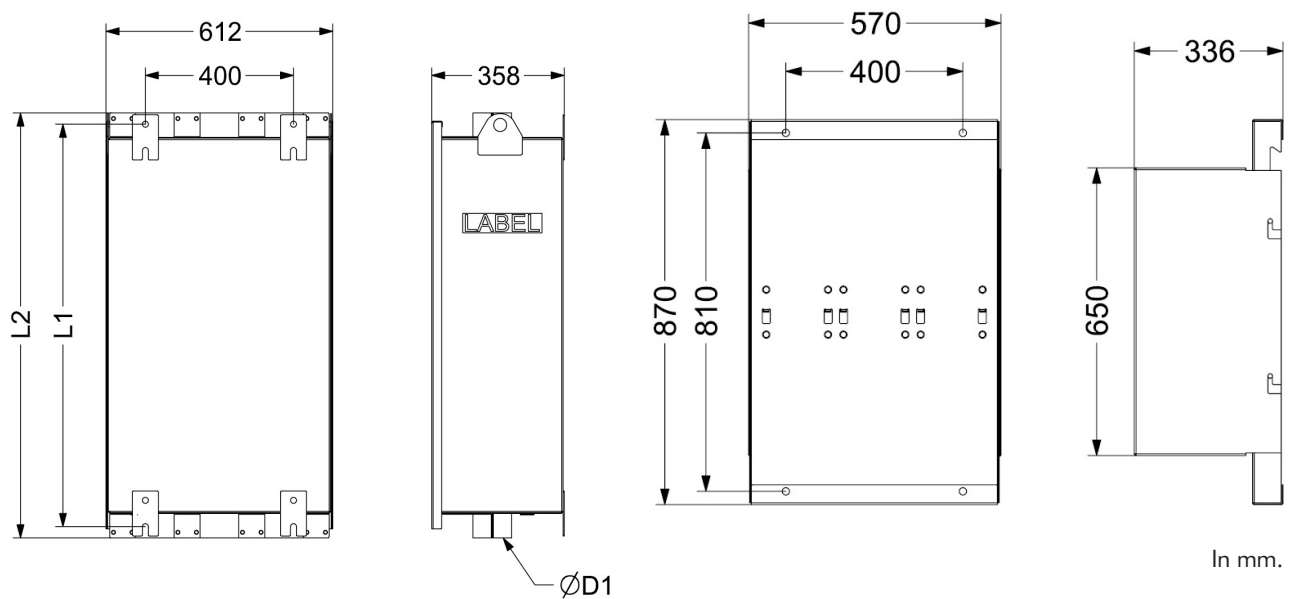
\* Depending on used conductor sizes, used glands and environmental conditions

\*\* With complete set of cable glands

## Benefits

- The offshore junction frame design is specifically suitable to be installed in offshore wind park applications.
- Modular design based on different functional components.
- High accessibility for ease of installation.
- Ideal test and demarcation point.
- Possible use of pre-terminated and tested jumpers to tower or substation equipment.
- Time saving.
- Reducing cost of installation.

## Dimensions



|                 | L1 (mm) | L2 (mm) | ØD1 (mm) |
|-----------------|---------|---------|----------|
| OJF-C-M400J2-T1 | 1000    | 1130    | 100      |
| OJF-C-M400J2-T2 | 1200    | 1330    | 125      |

OJF-O-M400J2-T1

In mm.

## Arrangements



Extension to larger cable sizes or double arrangement possible. Please contact our representative for more details.



Junction frame can be equipped with different type of connectors. See possible arrangements and catalogue pages for more details.

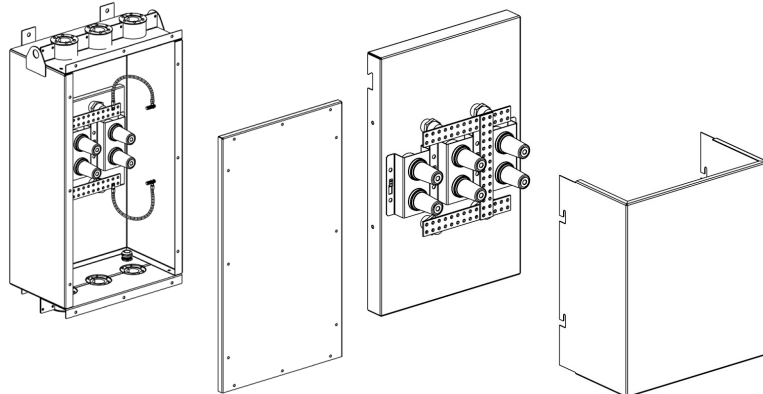


Pre-terminated and tested jumpers to connect junction frame with other equipment.

## Functional components

### Enclosures

| Offshore junction frame type | Cable sizes (Ø mm) |
|------------------------------|--------------------|
| OJF-C-M400J2-T1              | 24-70              |
| OJF-C-M400J2-T2              | 48-98              |
| OJF-O-M400J2-T1              | No definition      |

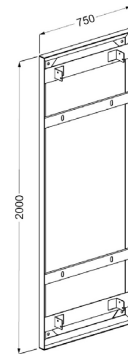


OJF-C-M400J2-X

OJF-O-M400J2-T1

### Mounting frame

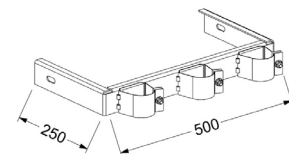
|              |   |
|--------------|---|
| OJF-F-1-C-T1 | Mounting frame 1 position (1 closed enclosure, type T1)   |
| OJF-F-2-C-T1 | Mounting frame 2 positions (2 closed enclosures, type T1) |
| OJF-F-1-C-T2 | Mounting frame 1 position (1 closed enclosure, type T2)   |
| OJF-F-2-C-T2 | Mounting frame 2 positions (2 closed enclosures, type T2) |
| OJF-F-1-O    | Mounting frame 1 position (1 open enclosure)              |
| OJF-F-2-O    | Mounting frame 2 positions (2 open enclosures)            |



OJF-F-1

### Cable cleat arrangements

| Cable cleat type | Cable sizes (Ø mm) |
|------------------|--------------------|
| OJF-CLA-37-45    | 37-45              |
| OJF-CLA-44-52    | 44-52              |
| OJF-CLA-51-59    | 51-59              |
| OJF-CLA-58-66    | 58-66              |
| OJF-CLA-65-73    | 65-73              |



OJF-CLA-X-X

### Accessories

To terminate 1 open end of the screened two-way interface C junctions.

|                 |                                 |
|-----------------|---------------------------------|
| M480BE/G + BIPA | Bushing extender + Bipa and cap |
|-----------------|---------------------------------|